

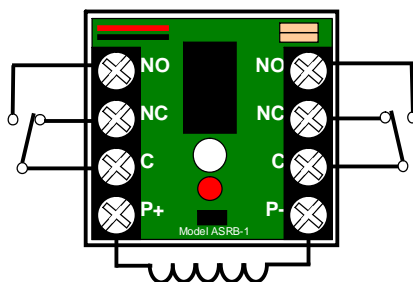
ASRB-1 and ASRB-1x5 Overview Diagrams and Examples

1. Cover Page
2. Revision History
3. Index of Diagrams
4. Electrical overview diagram, ASRB-1
5. Electrical overview diagram, ASRB-1x5
6. ASRB-1 Latching Example
7. ASRB-1 Polarity Reversal Example
8. ASRB-1 Door Lock Control Example
9. ASRB-1 Simple Alarm Example
10. ASRB-1x5 Fan Control Example

Advanced Sourcing

3

The ASRB-1



FEATURES

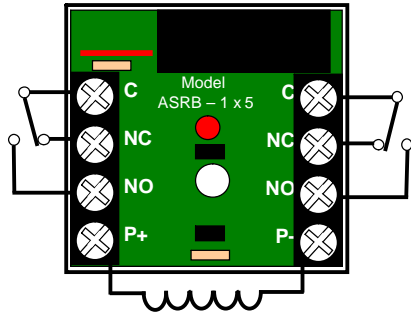
- UL Listed
- Measures just 2" x 2" x 0.9"
- 6, 12 or 24V DC Operation
- Contacts: **2 Amps** maximum current at 30VDC or 120VAC maximum voltage
- 25 ma maximum coil current
- Two sets of Isolated Contacts Standard DPDT (2 Form C)
- Mounted with screw or tape

Advanced Sourcing

4

The ASRB-1x5

The ASRB-1x5 is similar to the ASRB-1, but has *Increased Amperage Capacity*, a *slightly different terminal connection layout* and operates from 12 or 24VDC. The ASRB-1x5 is typically used when a higher contact rating is required.



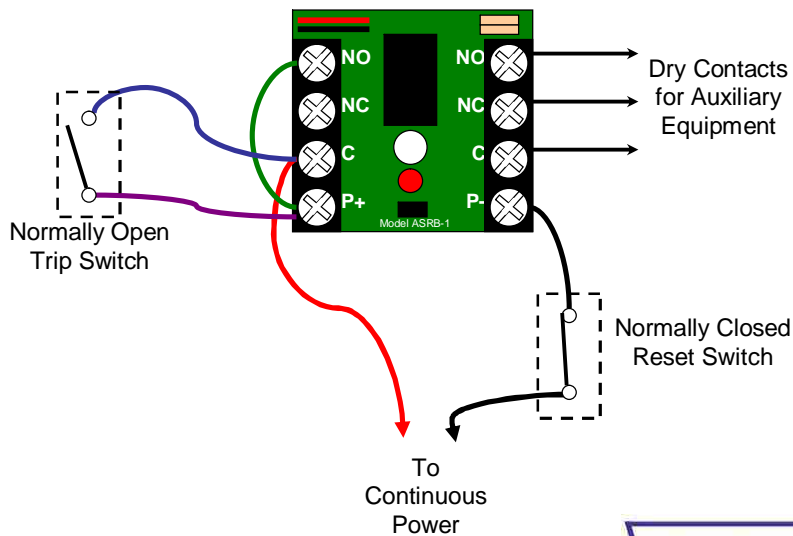
FEATURES

- Measures just 2" x 2" x 1.275"
- Mounted with screw or tape
- 12 or 24V DC Operation
- 40 ma maximum coil current
- Standard DPDT (2 Form C)
- Two sets of Isolated Contacts
- Contacts: **5 Amps** maximum current at 30VDC or 120VAC maximum voltage

Advanced Sourcing

5

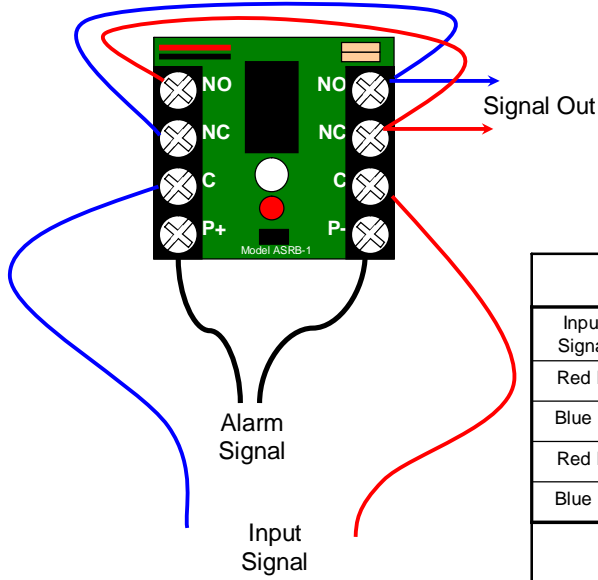
ASRB-1 Latching Relay Wiring Recommendation



Advanced Sourcing

6

ASRB-1 Polarity Reversal Relay Wiring



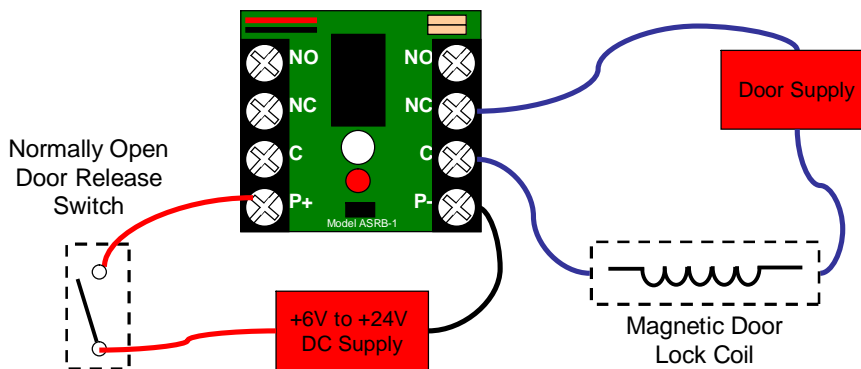
TRUTH TABLE			
Input Signal	Alarm Signal	Red Out	Blue Out
Red In	Off	X	
Blue In	Off		X
Red In	On		X
Blue In	On	X	

Advanced Sourcing

7

ASRB-1 Implemented in a Magnetic Door Lock Control System

Contacts provide control for a magnetic door control, where power across the coil keeps the door lock engaged until power is removed

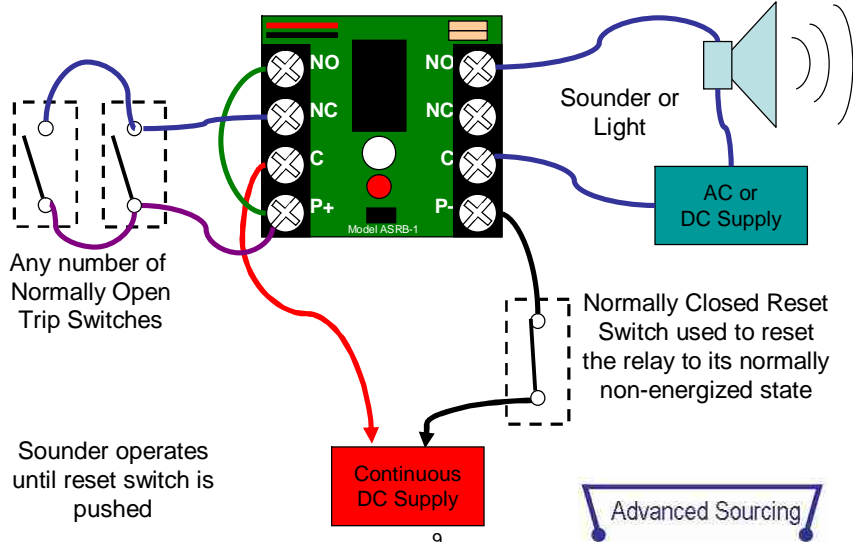


Advanced Sourcing

8

ASRB-1 Latching Relay Wiring Method

Simple Switch Activated Alarm
(freezer door or other item that needs to be returned to its previous state)



ASRB-1x5 In a Fan Control Circuit

